

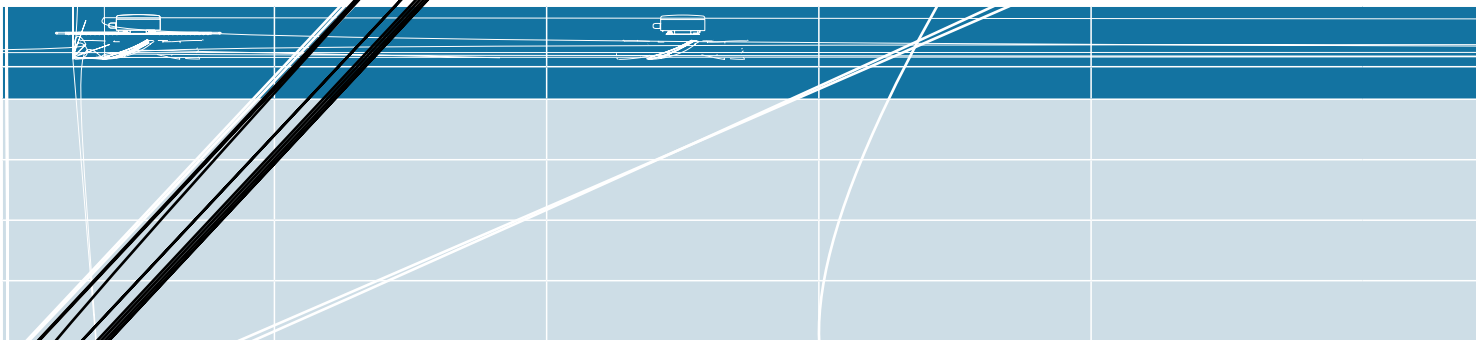
Plastic Airfoil Blade Axial Fan

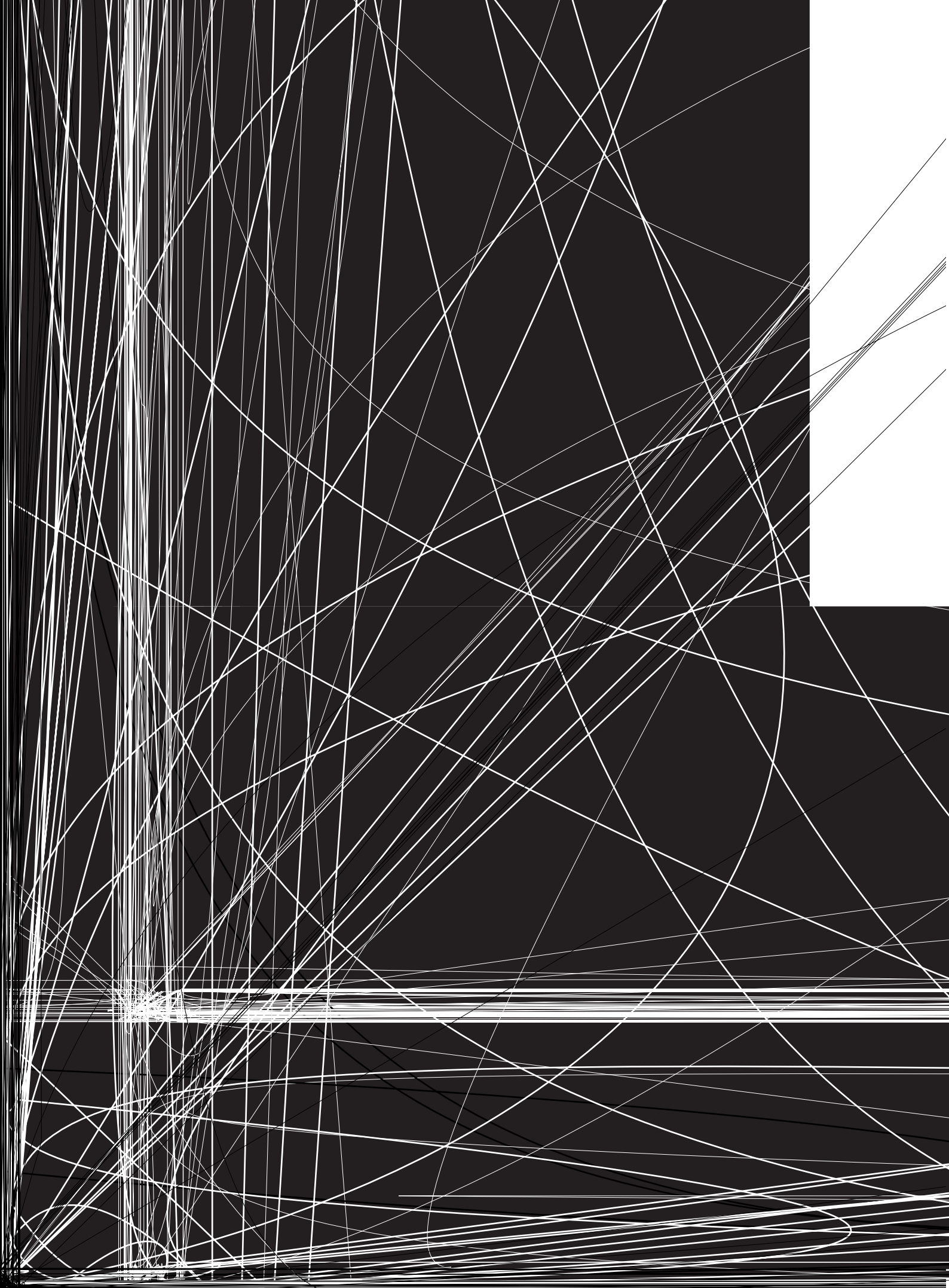


400

- Rotor Material: Aluminum Die-casting
- Impeller Material: Plastic
- Ingress Protection: IP54
- Insulation Class: F
- Bearing Type: Maintenance Free Ball Bearing

Performance Curves



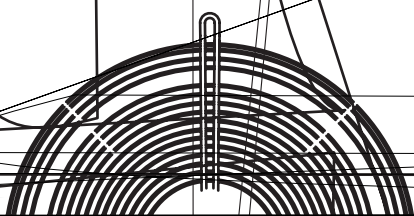
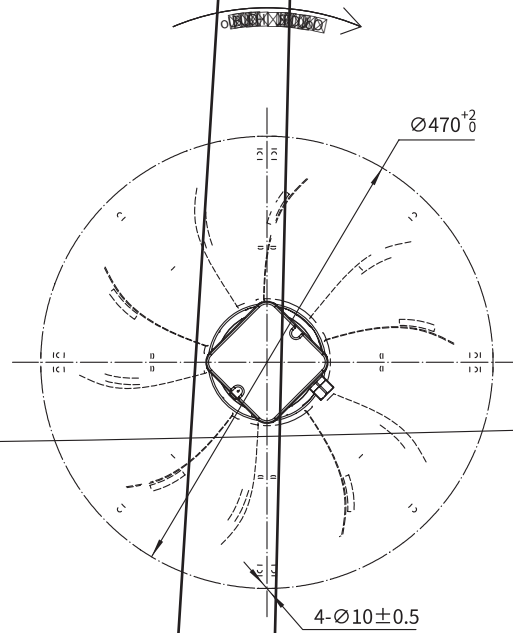
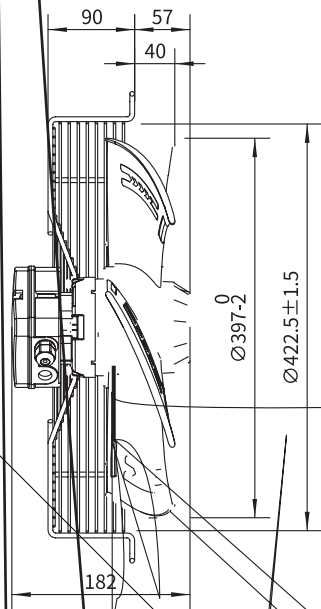




Plastic Airfoil Blade Axial Fan

400

Type D





Plastic Airfoil Blade Axial Fan

400

FO Type FO

