



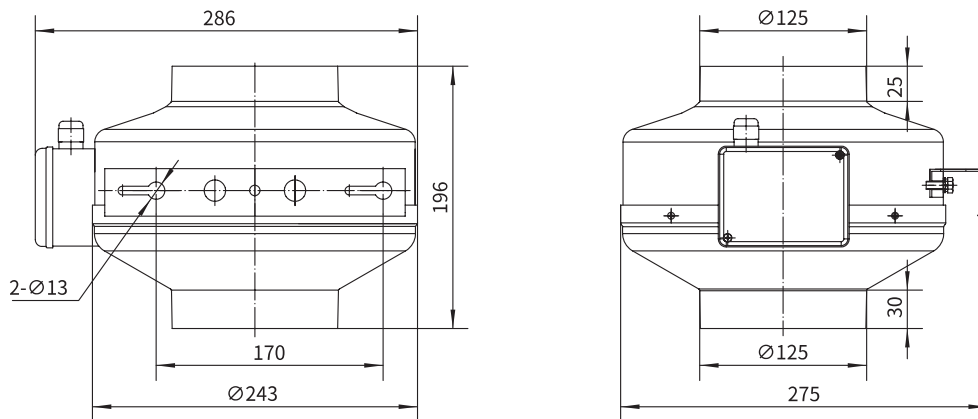
In-line Duct Fan



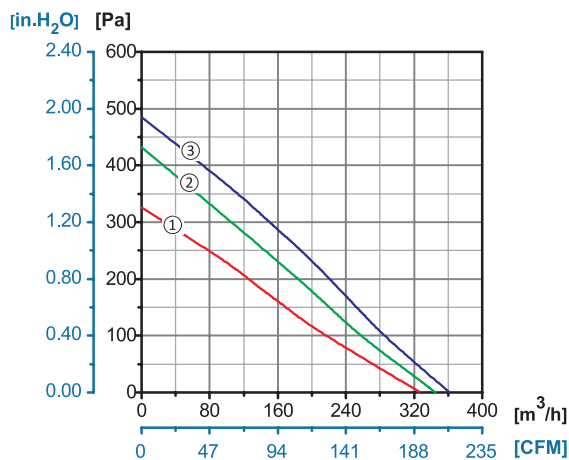
125

Rotor Material: Aluminum Die-casting
 Housing Material: Carbon Steel
 Ingress Protection: IP44
 Insulation Class: F
 Bearing Type: Maintenance Free Ball Bearing

Dimensional Drawings



Performance Curves



Model No.	Voltage	Frequency	Current	Power	Speed	Capacitor	Air Flow (OPa)	Noise	Curve	Working Temp.	Approvals
	V	Hz	A	W	RPM	μF	$[\text{m}^3/\text{h}]/[\text{CFM}]$	dB(A)	No.	Mn/Max ()	
YWF.G2S-125-196AA2A	110/120	60	0.63	75	2975	8	360/235	63		-30/+60	
YWF.G2S-125-196AA20	220/230	50	0.32	70	2620	3	320/180	61		-30/+60	CCC, CE
	220/230	60	0.41	86	2940	3	340/200	63		-30/+60	CE

In-line Duct Fan