



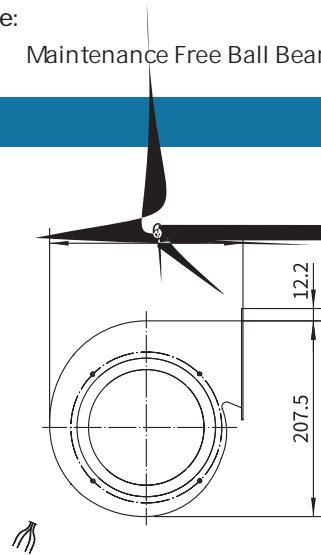
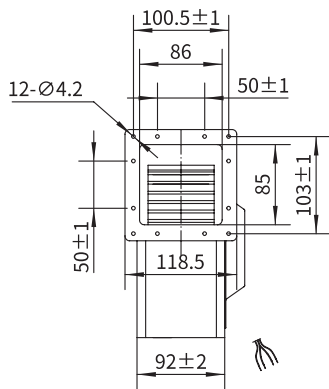
8adi SdV 5gchVW 4'ai Vd

## 150

Rotor Material: Aluminum Die-casting  
Impeller Material: Galvanized Steel Sheet  
Ingress Protection: IP44  
Insulation Class: F  
Bearing Type:

Maintenance Free Ball Bearing

6 [ We[a S^6dSi [ Ye



BVd\_ S' U5gchVd