



## Backward Curved Centrifugal Fan with Conventional Plastic Impeller

# 250

Rotor Material: Aluminum Die-casting

Impeller Material: Plastic

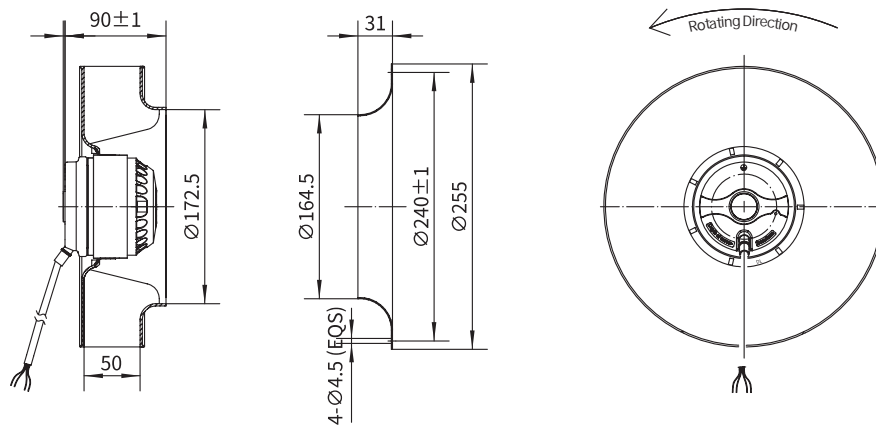
Ingress Protection: IP44

Insulation Class: F

Bearing Type:

Maintenance Free Ball Bearing

### Dimensional Drawings



### Performance Curves