

①

②

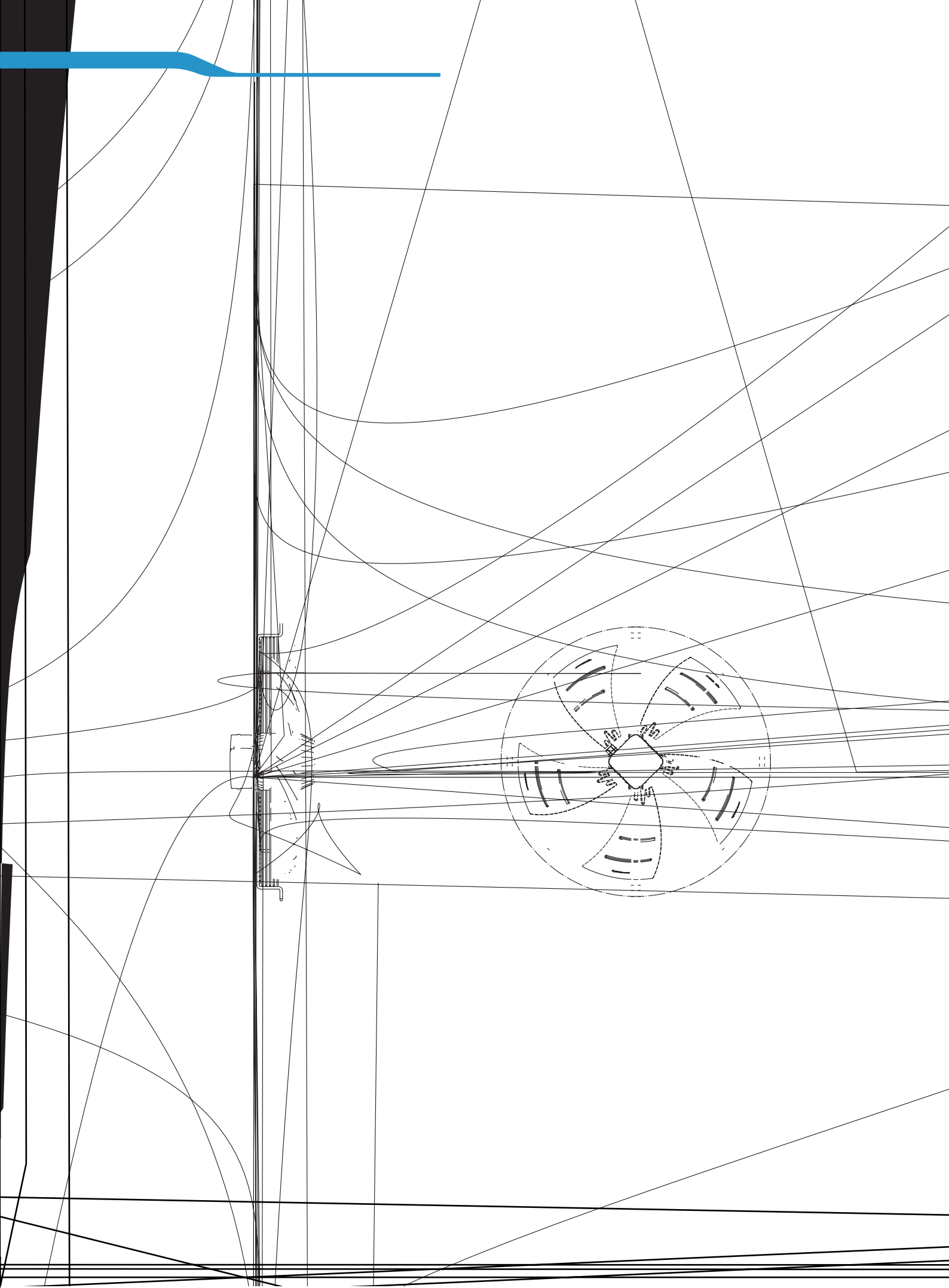
1176

2353

3529

4706

5



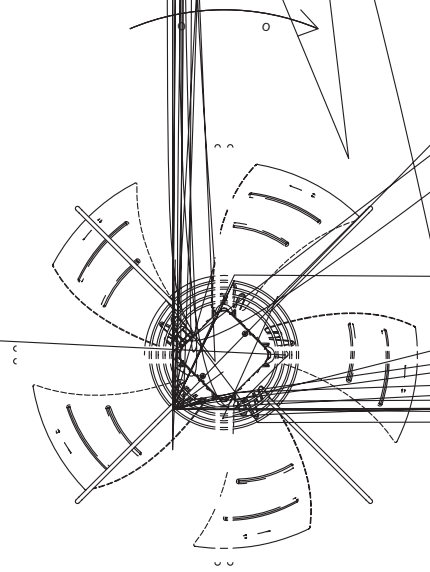


# Conventional Carbon Steel Blade Axial Fan

550

D

Type D



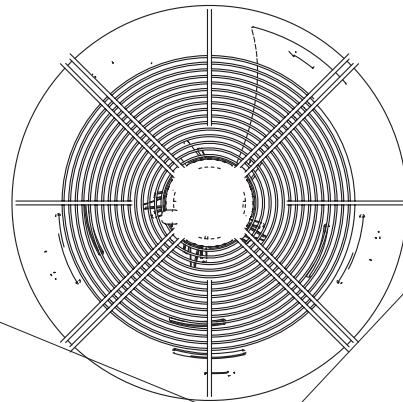
E

Type E





8' FkbW8'



8# FkbW8#

